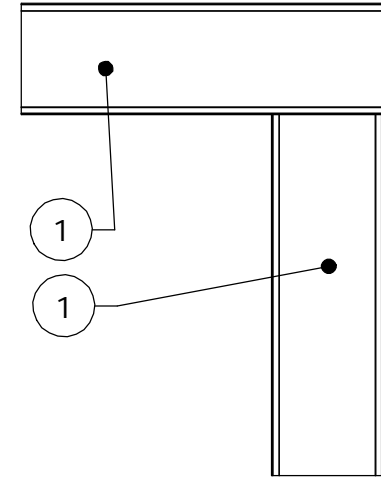
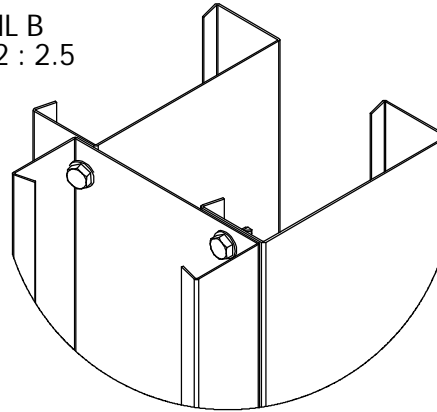


PROPRIETARY AND CONFIDENTIAL

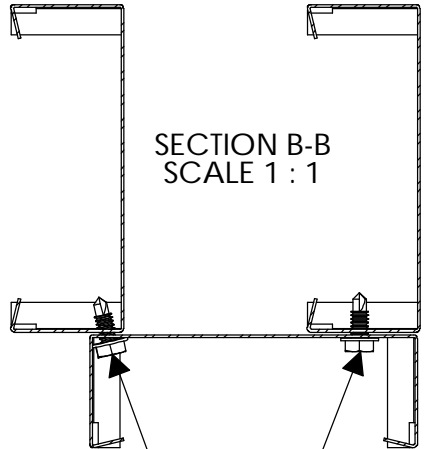
THE INFORMATION CONTAINED IN THIS DRAWING IS THE SOLE PROPERTY OF TRAKLOC. ANY REPRODUCTION IN PART OR AS A WHOLE WITHOUT THE WRITTEN PERMISSION OF TRAKLOC IS PROHIBITED.

ITEM NO.	PART NO.
1	TTS TRAK
2	TSO STUD

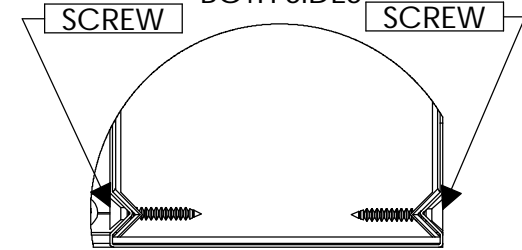
DETAIL B
SCALE 2 : 2.5



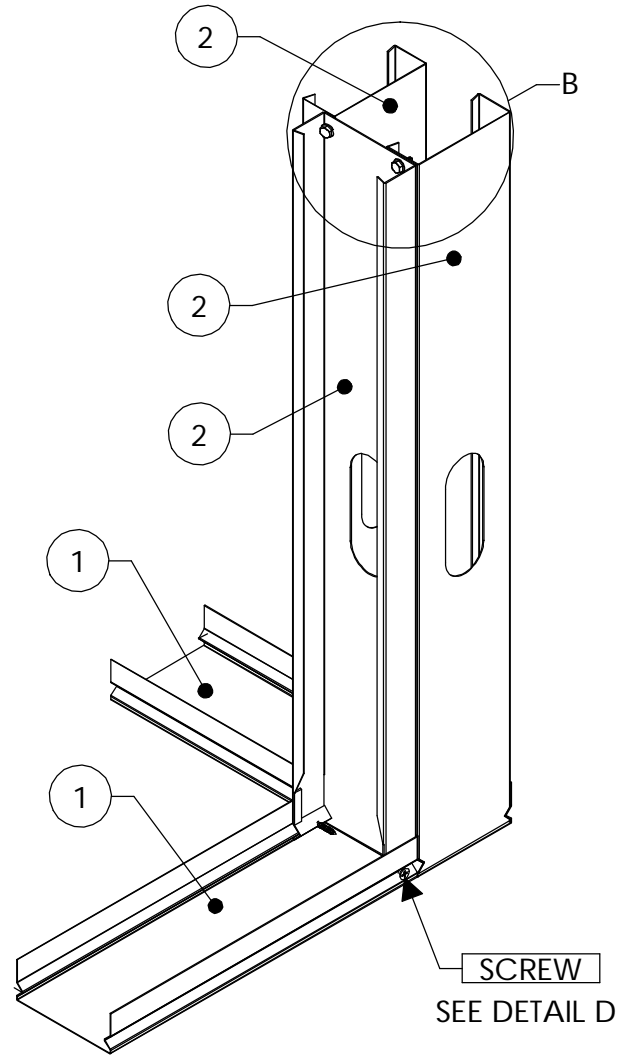
SECTION B-B
SCALE 1 : 1



SCREW BOTTOM & TOP
TTS AS NEEDED
BOTH SIDES



DETAIL D
SCALE 1 : 1



CORNER ASSEMBLY

TITLE: CORNER ASSEMBLY

TRAKLOC QUANTITY: 1

UNLESS OTHERWISE SPECIFIED:		DATE	NAME
TOLERANCES:	DIMENSIONS: INCHES	2/15/2005	JLB
	ANGLE: OTHERS	2/15/2005	JLB
LINEAR:		2/15/2005	JLB
X	\$0.020	2/15/2005	JLB
X.X	\$0.020		
X.XX	\$0.010		
X.XXX	\$0.005		
X.XXXX	\$0.0025		
X.XXXXX	\$0.00125		
X.XXXXXX	\$0.000625		
X.XXXXXXX	\$0.0003125		
X.XXXXXXX	\$0.00015625		
X.XXXXXXX	\$0.000078125		
X.XXXXXXX	\$0.0000390625		
X.XXXXXXX	\$0.00001953125		
X.XXXXXXX	\$0.000009765625		
X.XXXXXXX	\$0.0000048828125		
X.XXXXXXX	\$0.00000244140625		
X.XXXXXXX	\$0.000001220703125		
X.XXXXXXX	\$0.0000006103515625		
X.XXXXXXX	\$0.00000030517578125		
X.XXXXXXX	\$0.000000152587890625		
X.XXXXXXX	\$0.0000000762939453125		
X.XXXXXXX	\$0.00000003814697265625		
X.XXXXXXX	\$0.000000019073486328125		
X.XXXXXXX	\$0.0000000095367431640625		
X.XXXXXXX	\$0.00000000476837158203125		
X.XXXXXXX	\$0.000000002384185791015625		
X.XXXXXXX	\$0.0000000011920928955078125		
X.XXXXXXX	\$0.00000000059604644775390625		
X.XXXXXXX	\$0.000000000298023223876953125		
X.XXXXXXX	\$0.0000000001490116119384765625		
X.XXXXXXX	\$0.00000000007450580596923828125		
X.XXXXXXX	\$0.000000000037252902984619140625		
X.XXXXXXX	\$0.0000000000186264514923095703125		
X.XXXXXXX	\$0.00000000000931322574615478515625		
X.XXXXXXX	\$0.0000000000046566128730773928125		
X.XXXXXXX	\$0.00000000000232830643653869640625		
X.XXXXXXX	\$0.000000000001164153218269348203125		
X.XXXXXXX	\$0.0000000000005820766091346741015625		
X.XXXXXXX	\$0.00000000000029103830456733705078125		
X.XXXXXXX	\$0.000000000000145519152283668525390625		
X.XXXXXXX	\$0.0000000000000727595761418342626953125		
X.XXXXXXX	\$0.00000000000003637978807091713134765625		
X.XXXXXXX	\$0.000000000000018189894035458565673828125		
X.XXXXXXX	\$0.0000000000000090949470177292828369140625		
X.XXXXXXX	\$0.000000000000004547473508864641414153125		
X.XXXXXXX	\$0.0000000000000022737367544323207070765625		
X.XXXXXXX	\$0.00000000000000113686837721616035353828125		
X.XXXXXXX	\$0.000000000000000568434188608080176769140625		
X.XXXXXXX	\$0.0000000000000002842170943040400883845703125		
X.XXXXXXX	\$0.00000000000000014210854715202004419228125		
X.XXXXXXX	\$0.000000000000000071054273576010022096140625		
X.XXXXXXX	\$0.0000000000000000355271367880050110480703125		
X.XXXXXXX	\$0.00000000000000001776356839400250052403515625		
X.XXXXXXX	\$0.00000000000000000888178419700125002620178125		
X.XXXXXXX	\$0.0000000000000000044408920985006250013100890625		
X.XXXXXXX	\$0.000000000000000002220446049250312500065504453125		
X.XXXXXXX	\$0.00000000000000000111022302462515625000327522265625		
X.XXXXXXX	\$0.00000000000000000055511151231281281250001637611328125		
X.XXXXXXX	\$0.00000000000000000027755575615626406250000818805640625		
X.XXXXXXX	\$0.0000000000000000001387778780781320312500004094028203125		
X.XXXXXXX	\$0.000000000000000000069388939039066015625000020470141015625		
X.XXXXXXX	\$0.00000000000000000003469446951953300781250000102350705078125		
X.XXXXXXX	\$0.0000000000000000000173472347597665039062500000511753525390625		
X.XXXXXXX	\$0.00000000000000000000867361737988250195312500000255876761953125		
X.XXXXXXX	\$0.0000000000000000000043368086899412509765625000001279383809765625		
X.XXXXXXX	\$0.0000000000000000000021684043449706250488281250000006396919048828125		
X.XXXXXXX	\$0.0000000000000000000010842021724853125024414062500000031984595244140625		
X.XXXXXXX	\$0.0000000000000000000005421010862426562501220703125000000159822976220703125		
X.XXXXXXX	\$0.000000000000000000000271050543121328125006103515625000000079911488103515625		
X.XXXXXXX	\$0.0000000000000000000001355252715606406250030517578125000000039955744030517578125		
X.XXXXXXX	\$0.0000000000000000000000677626357803203125001525878906250000000199778720152587890625		
X.XXXXXXX	\$0.00000000000000000000003388131789016015625000762928281250000000099889360076292828125		
X.XXXXXXX	\$0.0000000000000000000000169406589450800781250003814697265625000000004994468003814697265625		
X.XXXXXXX	\$0.0000000000000000000000084703294725400390625000190734863281250000000024972340019073486328125		
X.XXXXXXX	\$0.0000000000000000000000042351647362700195312500009536743164062500000000124861700095367431640625		
X.XXXXXXX	\$0.0000000000000000000000021175823681350097656250000476837158203125000000000624308500476837158203125		
X.XXXXXXX	\$0.000000000000000000000001058791184067500488281250000238418579101562500000000031215425002384185791015625		
X.XXXXXXX	\$0.00000000000000000000000052939559203375002441406250000119209289550781250000000001560771250011920928955078125		
X.XXXXXXX	\$0.000000000000000000000000264697796016875001220703125000005960464477539062500000000007803856250059604644775390625		
X.XXXXXXX	\$0.000000000000000000000000132348898008437500061035156250000029802322387691406250000000003901928125002980232238769140625		
X.XXXXXXX	\$0.00000000000000000000000006617444900421875000305175781250000014901161193847656250000000000780385625001490116119384765625		
X.XXXXXXX	\$0.00000000000000000000000003308722450210937500015258789062500000074505805969230781250000000003901928125007450580596923078125		
X.XXXXXXX	\$0.000000000000000000000000016543612251054687500007629282812500000037252902984615625000000000195096406250037252902984615625		
X.XXXXXXX	\$0.0000000000000000000000000082718061250527343750000381469726562500000018626451492307812500000000009754820312500186264514923078125		
X.XXXXXXX	\$0.000000000000000000000000004135903062502636718750000190734863281250000000931322574615625000000000048774101562500931322574615625		
X.XXXXXXX	\$0.00000000000000000000000000206795153125131835937500000953674316406250000000465661287307812500000000002438705078125004656612873078125		
X.XXXXXXX	\$0.000000000000000000000000001033975765625065917968750000047683715820312500000002328306436538691406250000000001219352539062500232830643653869140625		
X.XXXXXXX	\$0.00000000000000000000000000051698788281250329589843750000023841857910156250000000116415321826934820312500000000005986761953125001164153218269348203125		
X.XXXXXXX	\$0.00000000000000000000000000025849394140625016479491875000001192092895507812500000000582076609134674316406250000000000298023223876914062500058207660913467431640625		
X.XXXXXXX	\$0.00000000000000000000000000012924697070312500823974843750000005960464477539062500000000298023223876914062500000000014901161193847656250002980232238769140625		
X.XXXXXXX	\$0.0000000000000000000000000000646234853515625004119874218750000002980232238769140625000000001490116119384765625000000000074505805969230781250007450580596923078125		
X.XXXXXXX	\$0.000000000000000000000000000032311742675781250020599371406250000001490116119384765625000000000745058059692307812500000000003725290298461562500037252902984615625		
X.XXXXXXX	\$0.0000000000000000000000000000161558713378906250010299685703125000000074505805969230781250000000003725290298461562500000000018626451492307812500186264514923078125		
X.XXXXXXX	\$0.000000000000000000000000000008077935668953125000514984285390625000000037252902984615625000000001862645149230781250000000000931322574615625000931322574615625		
X.XXXXXXX	\$0.00000000000000000000000000000403896783447656250002574942126953125000000186264514923078125000000009313225746156250000000004656612873078125004656612873078125		
X.XXXXXXX	\$0.00000000000000000000000000000201948391723828125000128747106326953125000000931322574615625000000046566128730781250000000023283064365386914062500232830643653869140625		
X.XXXXXXX	\$0.0000000000000000000000000000010097419586191406250000643735531640625000000465661287307812500000023283064365386914062500000001164153218269348203125001164153218269348203125		
X.XXXXXXX	\$0.00000000000000000000000000000050487097930957031250000321867765820312500000023283064365386914062500000116415321826934820312500000000582076609134674316406250058207660913467431640625		
X.XXXXXXX	\$0.000000000000000000000000000000252435489654765625000016093387890625000000116415321826934820312500000058207660913467431640625000000002980232238769140625002980232238769140625		
X.XXXXXXX	\$0.000000000000000000000000000000126217744827382812500000804669395312500000058207660913467431640625000000298023223876914062500000001490116119384765625001490116119384765625		
X.XXXXXXX	\$0.0000000000000000000000000000000631088724136914062500000402334697656250000002980232238769140625000001490116119384765625000000007450580596923078125007450580596923078125		
X.XXXXXXX	\$0.00000000000000000000000000000003155443620684531250000020116734882812500000014901161193847656250000007450580596923078125000000372529029846156250037252902984615625		
X.XXXXXXX	\$0.00000000000000000000000000000001577721810342265625000010058367440625000000074505805969230781250000003725290298461562500000018626451492307812500186264514923078125		
X.XXXXXXX	\$0.00000000000000000000000000000000788860905171132812500000502918372031250000000372529029846156250000001862645149230781250000000931322574615625000931322574615625		
X.XXXXXXX	\$0.0000000000000000000000000000000039443045258556250000025145918606250000000186264514923078125000000093132257461562500000004656612873078125004656612873078125		
X.XXXXXXX	\$0.00000000000000000000000000000000197215226292781250000012572959303125000000093132257461562500000004656612873078125000000023283064365386914062500232830643653869140625		
X.XXXXXXX	\$0.00000000000000000000000000000000098607613146390625000000628647965625000000046566128730781250000002328306436538691406250000001164153218269348203125001164153218269348203125		
X.XXXXXXX	\$0.000000000000000000000000000000000493038065731953125000000314323982812500000002328306436538691406250000011641532182693482031250000000582076609134674316406250058207660913467431640625		
X.XXXXXXX	\$		