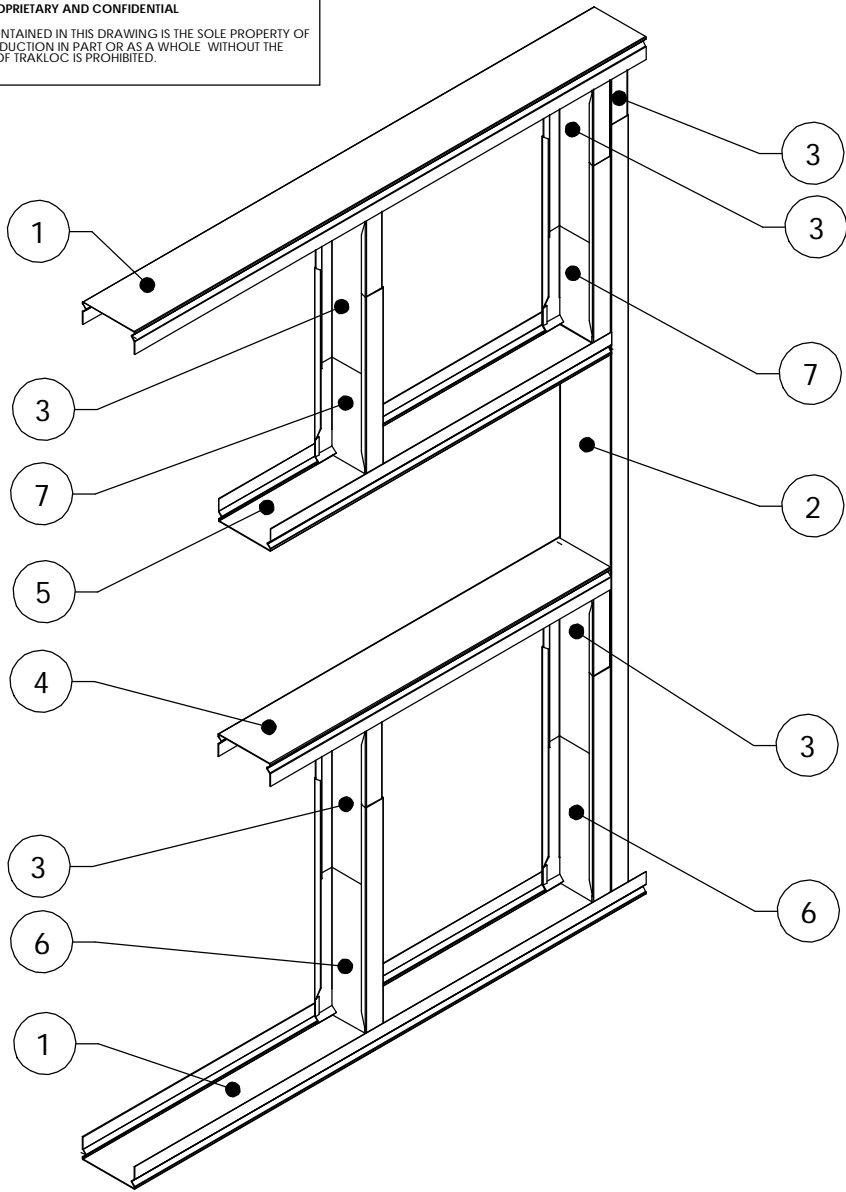


PROPRIETARY AND CONFIDENTIAL
 THE INFORMATION CONTAINED IN THIS DRAWING IS THE SOLE PROPERTY OF TRAKLOC. ANY REPRODUCTION IN PART OR AS A WHOLE WITHOUT THE WRITTEN PERMISSION OF TRAKLOC IS PROHIBITED.



ITEM NO.	PART NO.
1	TTS TRAK
2	TSO STUD
3	TSE SLIP STUD
4	TTS TRAK sill
5	TTS TRAK header
6	TSO STUD bottom cripple stud
7	TSO STUD top cripple stud

**Window-Non-Load Bearing
 Single Track Header
 Single Jamb**

MATERIAL:

TITLE: Window Single Jamb Assem1

UNLESS OTHERWISE SPECIFIED:		DATE	NAME	QUANTITY: 1
TOLEANCES:	DIMENSIONS: INCHES	DRAWN	CHECKED	
LINEAR:	ANGLE	OTHERS	ENG APPR.	TRAKLOC
Y ± 0.015	1/2 DEG	CHAMFER ALL EDGES 04.05	MFG APPR.	
XX ± 0.010	1/4 DEG	RAD. CORNERS 015-035	C.A.	
XXX ± 0.005	1/10 DEG	SURFACE FINISH - 8 THRU 16	SIZE	
XXXX ± 0.0025	1/25 DEG			
X.XXXX ± HOLD	15 SEC			

MATERIAL: --

FINISH: --

DO NOT SCALE DRAWING

C DWG. NO. Window Single Jamb Assem1 REV 2/9/2005

SCALE: 1:6 WEIGHT: SHEET 1 OF 1