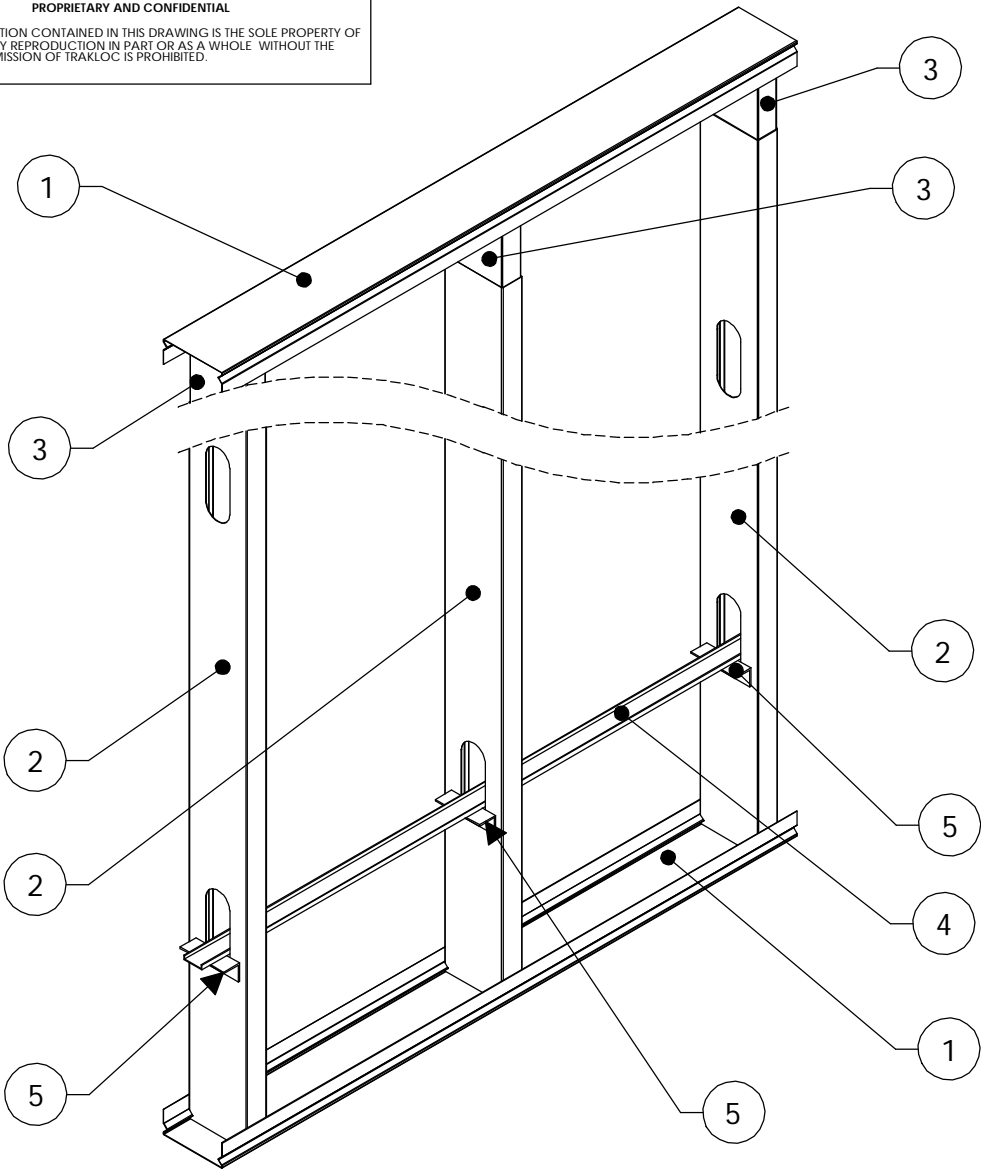


**PROPRIETARY AND CONFIDENTIAL**  
 THE INFORMATION CONTAINED IN THIS DRAWING IS THE SOLE PROPERTY OF TRAKLOC. ANY REPRODUCTION IN PART OR AS A WHOLE WITHOUT THE WRITTEN PERMISSION OF TRAKLOC IS PROHIBITED.

ITEM NO.	PART NO.
1	TTS TRAK
2	TSO STUD
3	TSE SLIP STUD
4	Bridge Channel
5	Bridge Channel Brace



**Bridging Channel with  
Clip Angle**

**MATERIAL:**

**TITLE:** Bridging Channel with Clip Angle Assem1

UNLESS OTHERWISE SPECIFIED:			DATE	NAME	QUANTITY:
TOLEANCES:	ANGLE	DIMENSIONS: INCHES	DRAWN		<b>1</b>
LINEAR:		OTHERS:	CHECKED		<b>TRAKLOC</b>
Y	± 0.015	1/2 DEG	ENG APPR:		
X,X	± 0.010	1/4 DEG	MFG APPR:		
X,XX	± 0.005	1/10 DEG	C.A.		
X,XXX	± 0.0025	1/25 DEG	SIZE		
X,XXXX	± HOLD	15 SEC			
		CHAMFER ALL EDGES 04-05			
		RAD. CORNERS 015-035			
		SURFACE FINISH - 8 THRU 16			
<b>MATERIAL:</b>	--		<b>C</b>	DWG. NO.	REV
<b>FINISH:</b>	--			Bridging Channel with Clip Angle Assem1	2/9/2005
<b>DO NOT SCALE DRAWING</b>				SCALE: 1:8	WEIGHT: SHEET 1 OF 1